

NOTE:- WIRE SIZE DETAIL

FERRUL NO. 6,8,9,10,11,12A,12B & FD - 4 sq.mm.
FERRUL NO. 1 - 6 sq.mm.
FERRUL NO. B1 & B2 - 6 sq. mm.

REMAINING ALL CONTROL WIRES TO BE USED 1.5 sq.mm.
ALL WIRES TO BE USED LAPP / DIN MAKE.

LEGENDS:- (4 CHANNEL 2 C/O RELAY BOARD 12V DC / 5AMP)
R1 - RAW WATER SOLENOID RELAY
R2 - OVERSPEED RELAY (PART No. 4H.865.01.0)
R3 - CRANK DISCONNECT RELAY
R4 - LOP RELAY

CIRCUIT BREAKER (PART No. 3H.864.03.0)
MCB -1 - BATTERY 1 +VE CIRCUIT BREAKER 4 AMP
MCB -2 - BATTERY 2 +VE CIRCUIT BREAKER 4 AMP

GAUGES

LOP - LUB.OIL PRESSURE GAUGE (12V DC)(PART No.46.250.01.0)
WT - WATER TEMPERATURE GAUGE (12V DC) (PART No.46.065.02.0)
BAT1 - BATTERY 1 VOLTMETER (0 TO 16V)
BAT2 - BATTERY 2 VOLTMETER (0 TO 16V) (PART No.4H.865.06.0)

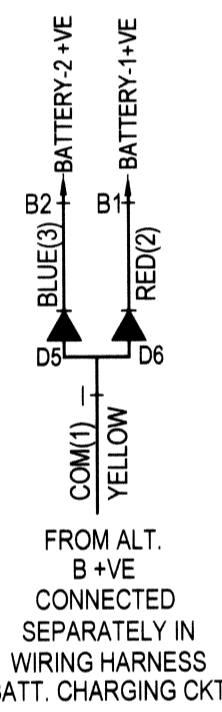
INDICATIONS

L1 - WARNING LAMP AUTO/MANUAL
L2 - OVERSPEED WARNING LAMP

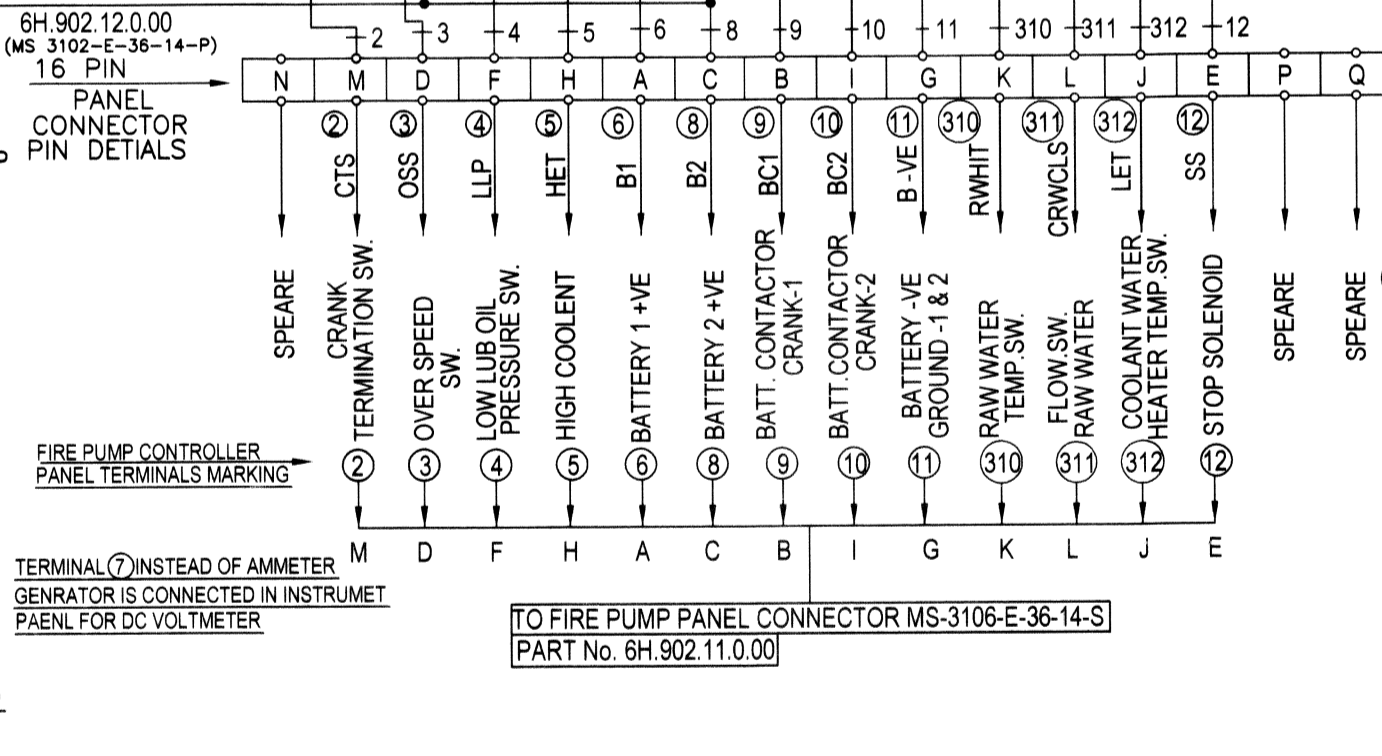
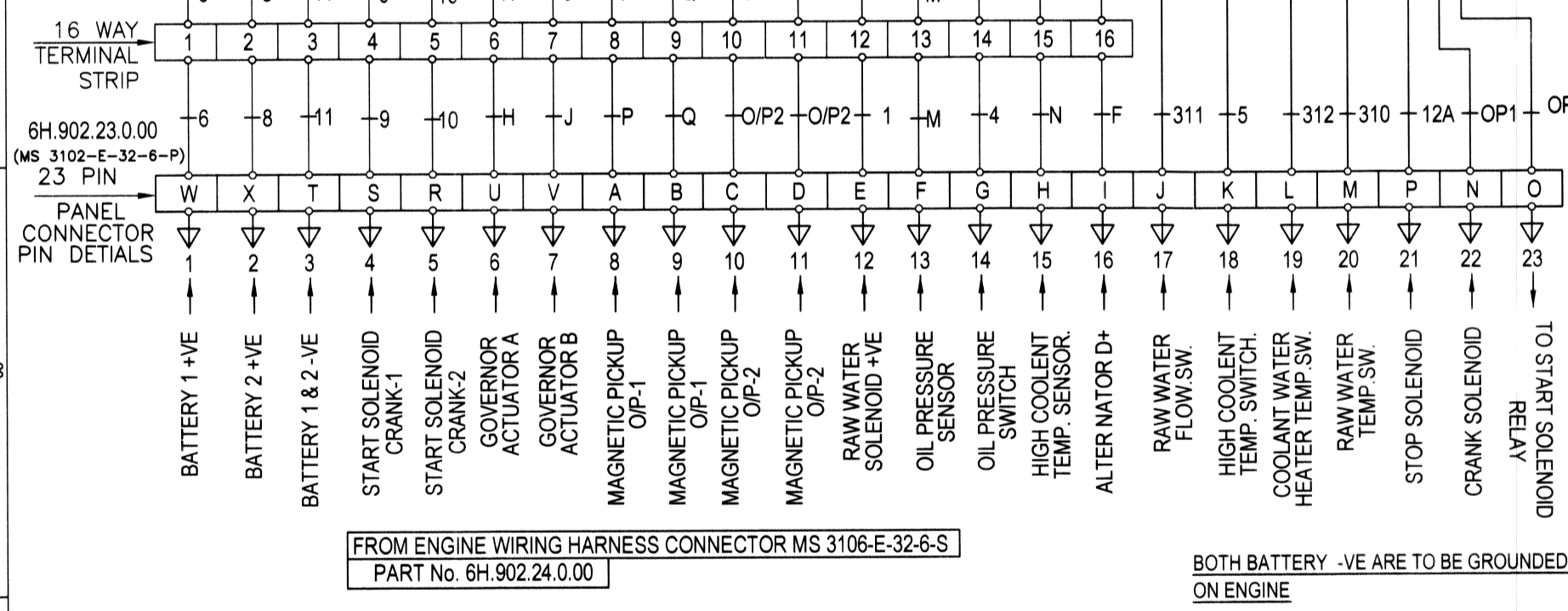
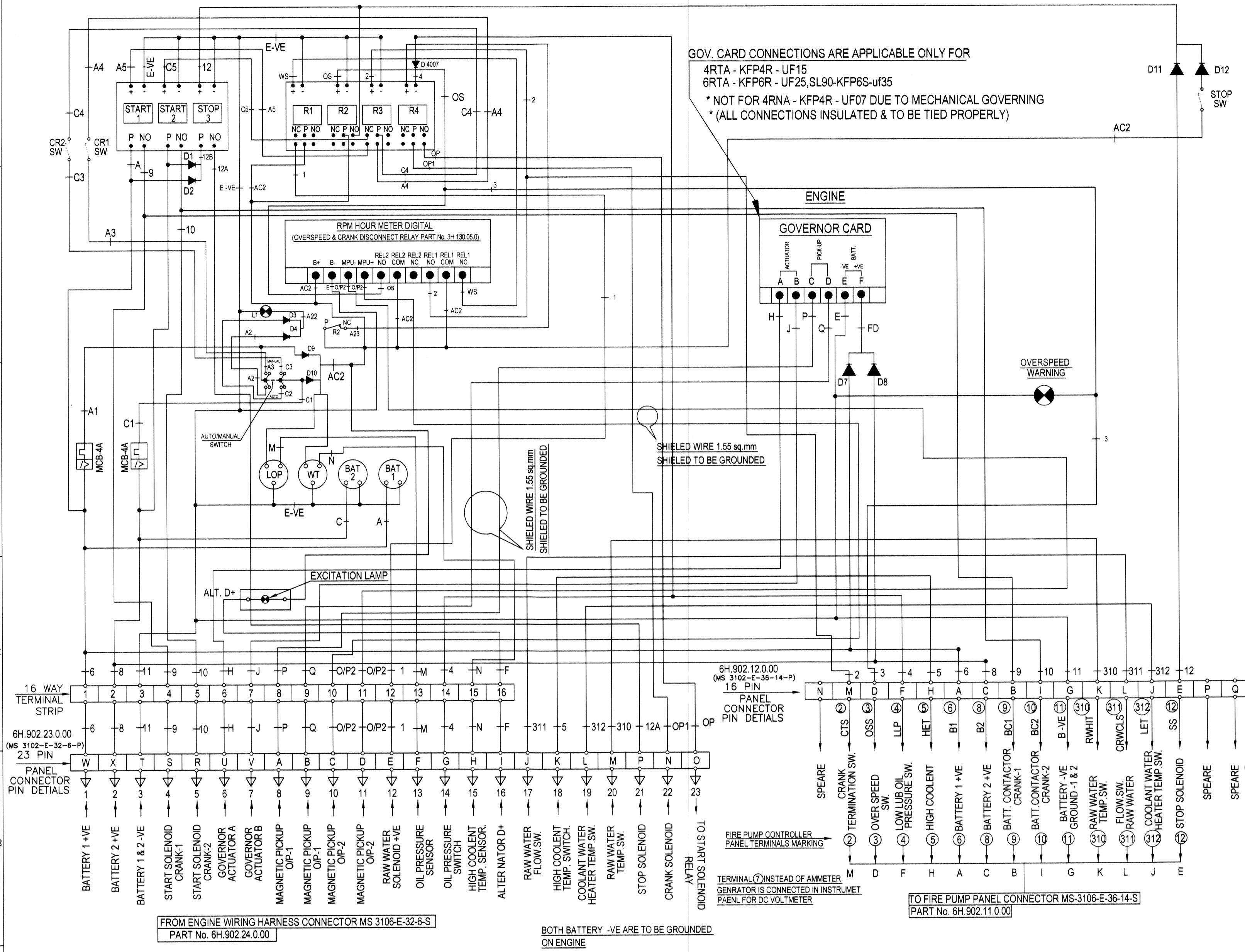
DIODE-

D1 } RECTIFIER - 1
D2 }
D3 } RECTIFIER - 2
D4 }
D5 } BATTERY CHARGING DIODE SPLITTER
D6 }
D7 } RECTIFIER - 3
D8 }
D9 } RECTIFIER - 4
D10 }
D11 - DIODE
D12 - DIODE

3 - CHANEL RELAY BOARD (12V)
START - 1 - CRANK-1 RELAY
START - 2 - CRANK-2 RELAY
STOP3 - STOP SOLENOID RELAY



GOV. CARD CONNECTIONS ARE APPLICABLE ONLY FOR
4RTA - KFP4R - UF15
6RTA - KFP6R - UF25,SL90-KFP6S-uf35
* NOT FOR 4RNA - KFP4R - UF07 DUE TO MECHANICAL GOVERNING
* (ALL CONNECTIONS INSULATED & TO BE TIED PROPERLY)



FROM ENGINE WIRING HARNESS CONNECTOR MS 3106-E-32-6-S
PART No. 6H.902.24.0.00

BOTH BATTERY -VE ARE TO BE GROUNDED
ON ENGINE

TO FIRE PUMP PANEL CONNECTOR MS-3106-E-36-14-S
PART No. 6H.902.11.0.00

LIFECYCLE STATE:- RELEASED

IF IN DOUBT ASK PRINTS OF PREVIOUS REVISION NO. SHOULD BE SCRAPPED

THIS DRAWING IS PROPERTY OF KIRLOSKAR OIL ENGINES LTD. AND MUST BE RETURNED ON REQUEST. IT IS SUBMITTED AS CONFIDENTIAL INFORMATION WITH OUR ENQUIRY, TENDER ORDER OR CONTRACT NO. IT IS NOT TO BE ISSUED FOR ANY OTHER PURPOSE OR ORDER NOR MAY BE COPIED OR LENT WITHOUT OUR AUTHORITY IN WRITING.

FORMAT No. R&E/FDRM/055/01 (REFER DDP No. R&E 4.4/03)

Table with columns for REVISION, ZONE, MODIFIED BY, REF. NO, and DATE. Includes revision history for 'PR' changed to '00' and '19148'.

Table with columns for UNMENTIONED, RADII, CHAMFER, and UNDERCUT.

Table with columns for CAD DRG. FILE, MATERIAL, HEAT TREATMENT, WEIGHT, DRN, MVM, TITLE, DATE, KIRLOSKAR OIL ENGINES LTD., PUNE 411 003 (INDIA), DRAWING NO., and REV. NO.